



Parts Manual

Mfg. No: 2691460-00
Courier, SZT275, 724cc B&S Rider w/48"



1687855YP - Rhino Grip.....
1687856YP - Rhino Grip, Ratcheting.....
1696907 - Grass Mulcher Kit, 48" Rear Discharge.....

Not For
Reproduction

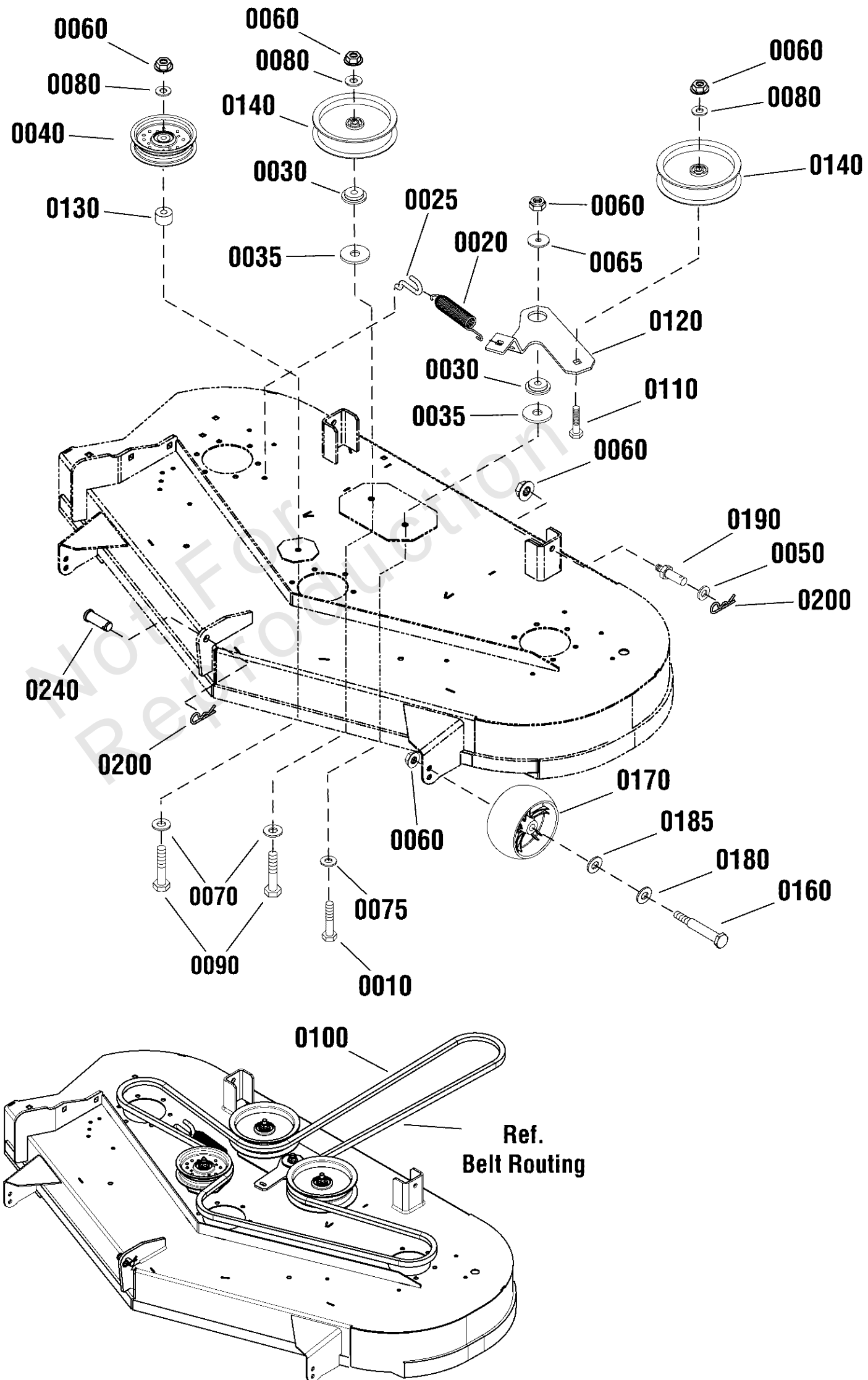
Model Components	Page
48" Mower Deck - Clutch & Support Group (2991603).....	4
48" Mower Deck - Housing & Arbor Group Export.....	6
Body & Fuel Tank Group (2991638_2991978_2991905).....	8
Cargo Box Group - No Cargo Bed.....	10
Controls Group.....	12
Decals Group.....	14
Electrical Group w/Hourmeter.....	16
Engine Group.....	18
EVAP Group - B&S Twin, CE.....	20
Frame Group (2992511).....	22
French Guard Group - 48" FAB Deck, HOZ Susp.....	24
Lift Group (2991613).....	26
Parking Brake Group (2991641).....	28
Rear Suspension Group.....	30
Seat Group (2992503).....	32
Transmission Group.....	34
Wheel & Tire Group (2991615_2991901_2991994).....	36
Torque Specification Chart.....	38

Not For
Reproduction

48" Mower Deck - Clutch & Support Group (2991603)

Note: Unless noted otherwise, use the standard torque specifications

Mfg. No: 2691460-00



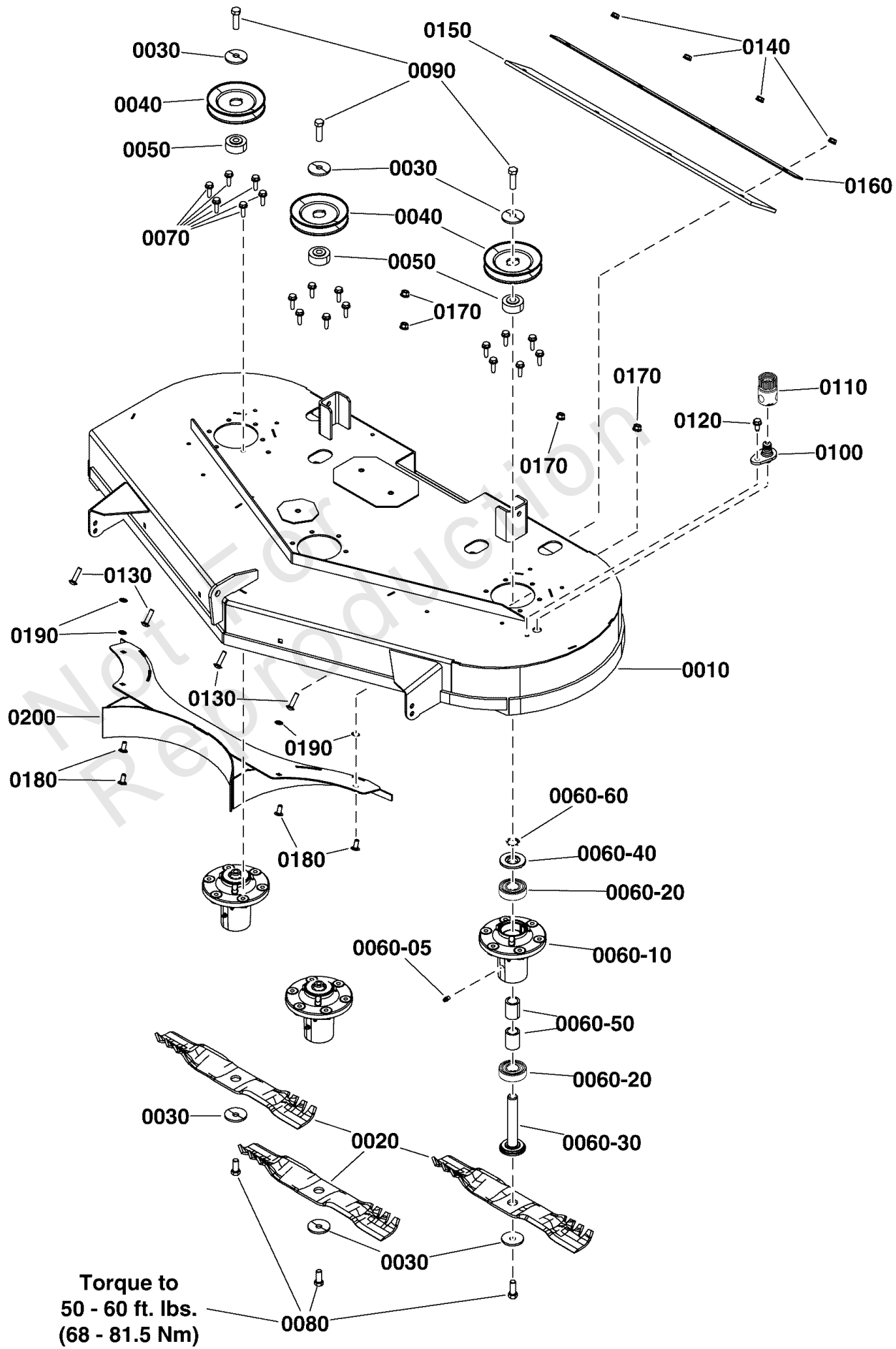
48" Mower Deck - Clutch & Support Group (2991603)

REF NO	PART NO	QTY	DESCRIPTION
0010	703589	1	CAPSCREW, Hex Head, 3/8-16 X 2, GR5
0020	1715772SM	1	SPRING, Extension
0025	1758170YP	1	ANCHOR, Spring
0030	706128	2	SPACER, Idler
0035	1960071SM	2	WASHER, 3/8
0040	1757823YP	1	PULLEY, Idler, Backside
0050	703853	2	WASHER, 1/2
0060	703158	8	NUT, Hex Flange, 3/8-16
0065	5025305SM	1	WASHER, .41 X 1.75 X .14
0070	703591	2	WASHER, Flat, 13/32 x 1 1/2 x 1/8
0075	1919384SM	1	WASHER, 3/8
0080	703878	3	WASHER, Flat, 13/32 x 7/8 x .083
0090	703133	2	CAPSCREW, Hex Head, 3/8-16 X 2 3/4, GR5
0100	1736516YP	1	V-BELT, HA
0110	7900009SM	1	BOLT, Carriage, 3/8-16 X 2 1/4
0120	1760882AYP	1	ARM, Idler
0130	1667812SM	1	SPACER, .390 ID .90 OD 0.70 Lg
0140	7034422SM	2	PULLEY, Flat Idler
0160	1736539YP	2	BOLT, Shoulder, 3/8-16 X 3.41
0170	1736896YP	2	WHEEL, Gauge
0180	5025158SM	2	WASHER, 1/2
0185	0020X3MA	2	WASHER, Spring
0190	704054	2	PIN, Threaded Shoulder, 3/8-16 X 11/16
0200	403162MA	3	PIN, Hair, 3/32 X 1.6
0240	5025479YP	1	PIN, Clevis, 1/2 X 1 23/64

48" Mower Deck - Housing & Arbor Group Export

Note: Unless noted otherwise, use the standard torque specifications

Mfg. No: 2691460-00



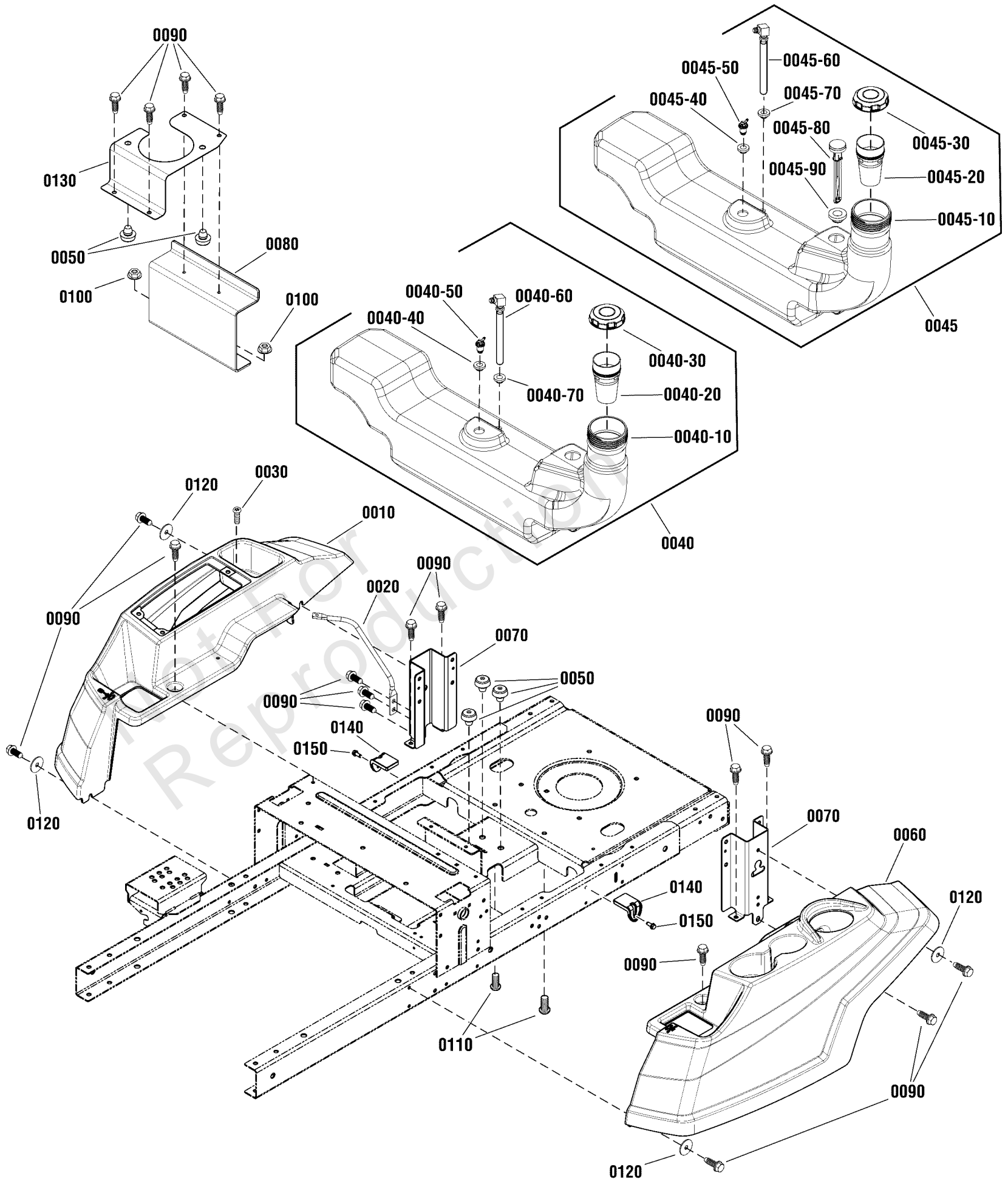
48" Mower Deck - Housing & Arbor Group Export

REF NO	PART NO	QTY	DESCRIPTION
0010	1687945YP	1	KIT, Mower Deck w/Decals, 48" FAB RD ZT - Orange
0020	1760647YP	3	BLADE, Mulching
0030	1656916SM	6	WASHER, Spring
0040	1732951SM	3	PULLEY, 4.60
0050	706362	3	SPACER, Pulley
0060-05	1704314SM	3	FITTING, Lube, 1/4
0060-10	1755437YP	3	HOUSING, w/Lube Fitting
0060-20	1735399YP	6	BEARING, Ball, 20mm
0060-30	1760276YP	3	SHAFT, Spindle
0060-40	1735323YP	3	SHIELD, Arbor
0060-50	1735328YP	6	SPACER, Bearing
0060-60	1960766YP	3	RING, Self Locking
0070	704146	18	SCREW, Hex Washer Head, Taptite, 5/16-18 x 1
0080	1920676SM	3	CAPSCREW, Hex Head, 7/16-14 X 1
0090	1921212SM	3	CAPSCREW, Hex Head, 7/16-14 X 1 1/2
0100	1756247YP	1	ADAPTER, Washout Port
0110	1756246YP	1	CONNECTOR, Washout Port
0120	703228	1	SCREW, Washer Head Taptite, 5/16-18 X 3/4
0130	703446	4	BOLT, Carriage, 5/16-18 X 1 1/4, GR5
0140	5025127SM	4	NUT, Hex Serrated Flange, 5/16-18,
0150	1761251YP	1	FLAP, Rubber, Rear Discharge
0160	1761516AYP	1	STRIP, Discharge Flap, Black
0170	703115	4	NUT, Flange Nylock, 5/16-18
0180	703185	4	BOLT, Carriage, 5/16-18 X 3/4
0190	703297	4	RETAINER, 5/16 X 5/8
0200	84002573	1	BAFFLE, Mulch, Black

Body & Fuel Tank Group (2991638_2991978_2991905)

Note: Unless noted otherwise, use the standard torque specifications

Mfg. No: 2691460-00



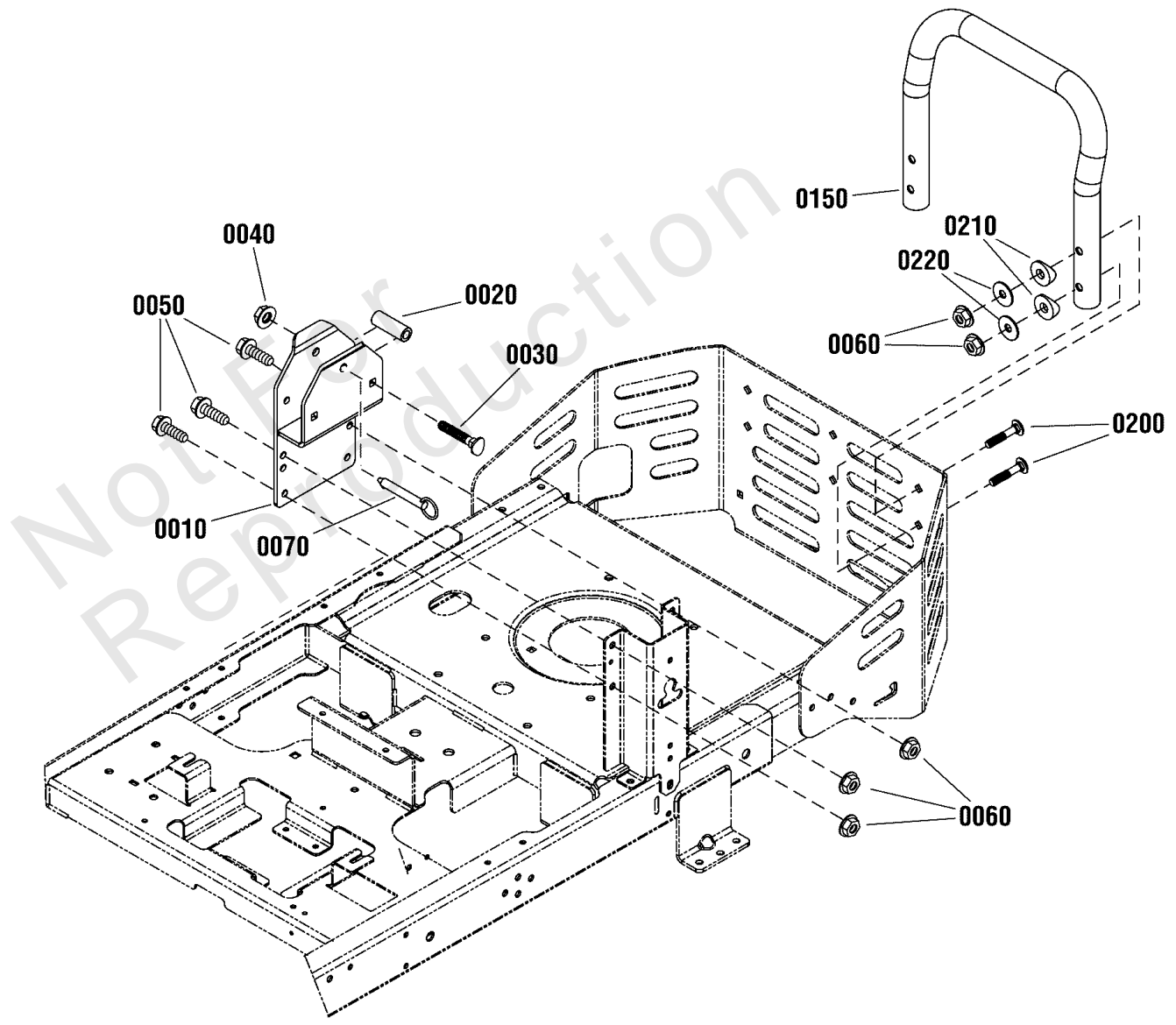
Body & Fuel Tank Group (2991638_2991978_2991905)

REF NO	PART NO	QTY	DESCRIPTION
0010	1758077YP	1	FENDER, RH
0020	1759369YP	1	ROD, Support
0030	7090999SM	1	SCREW, Phillips Head, 1/4-20 X 5/8
0040	1758202YP	1	FUEL TANK ASSEMBLY, No Fuel Gauge -(Includes item Nos. 0040-10 thru 0040-70)
0040-10	-----	1	TANK, Fuel -(Order item 0040)
0040-20	1758282YP	1	NECK, Fuel Filter
0040-30	1758314YP	1	CAP, Fuel (Non Vented)
0040-40	799624	1	GROMMET
0040-50	7104638YP	1	VENT, Remote
0040-60	1758927YP	1	TUBE, Fuel Pickup
0040-70	1726400SM	1	BUSHING
0045	1758919YP	1	FUEL TANK ASSEMBLY. W / Fuel Gauge -(Includes item Nos. 0045-10 thru 0045-90)
0045-10	-----	1	TANK, Fuel -(Order item 0045)
0045-20	1758282YP	1	NECK, Fuel Filter
0045-30	1758314YP	1	CAP, Fuel (Non Vented)
0045-40	799624	1	GROMMET
0045-50	7104638YP	1	VENT, Remote
0045-60	1758927YP	1	TUBE, Fuel Pickup
0045-70	1726400SM	1	BUSHING
0045-80	1758928YP	1	GAUGE, Fuel
0045-90	1722337SM	1	GROMMET
0050	197546GS	5	MOUNT, Vibration
0060	1758076YP	1	FENDER, LH
0070	1758239AYP	2	SUPPORT, Rear Fender
0080	1758889AYP	1	SUPPORT, Seat Spring
0090	1664847SM	18	SCREW, Taptite, 5/16-18 x 3/4
0100	703158	2	NUT, Hex Flange, 3/8-16
0110	707790	2	SCREW, Button Head, 3/8-16 X .88
0120	1960044SM	4	WASHER, Flat, 5/16
0130	1759140AYP	1	STRAP, Fuel Tank
0140	1760244YP	2	SUPPORT, Fuel Tank
0150	703054	2	SCREW, Hex Washer Head, 1/4-20 x 5/8

Cargo Box Group - No Cargo Bed

Note: Unless noted otherwise, use the standard torque specifications

Mfg. No: 2691460-00



Cargo Box Group - No Cargo Bed

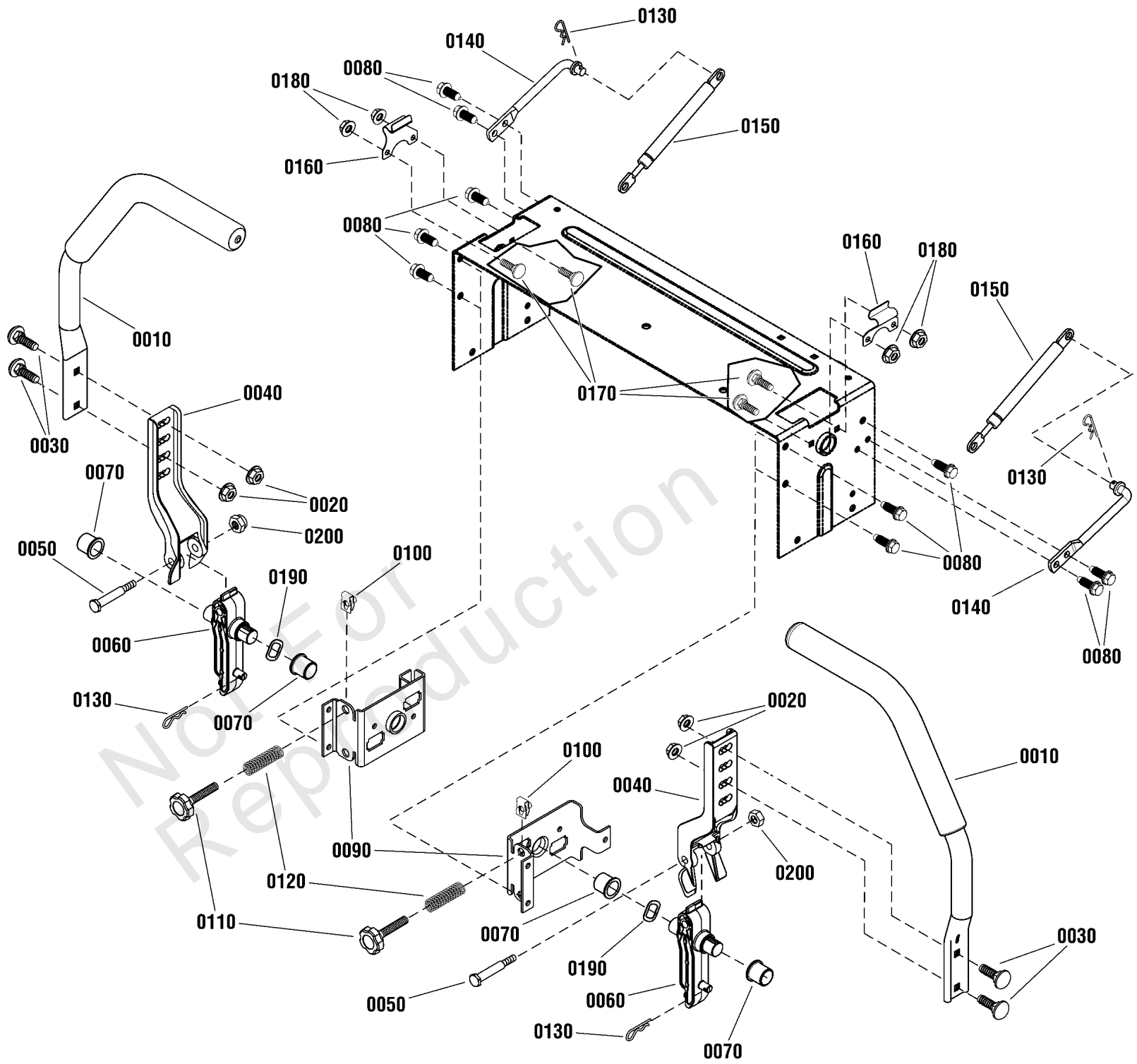
REF NO	PART NO	QTY	DESCRIPTION
0010	1759433AYP	2	SUPPORT, Cargo Box
0020	1713588SM	2	SPACER, .323 ID X .555 OD X 1.55 LG, CZ
0030	704421	2	SCREW, Round Head, 5/16 X 2 1/4
0040	704067	2	NUT, Hex Flange, 5/16-18
0050	703354	6	SCREW, Flange, Whiz-Lock, 5/16-18 X 3/4
0060	703115	10	NUT, Flange Nylock, 5/16-18
0070	5103021YP	2	PIN, Hitch, 3/8 X 2 1/2, Cotterless CZ
0150	1759315AYP	1	TUBE, Support
0200	704035	4	BOLT, 5/16-18 X 2, Carriage
0210	1759361YP	4	SADDLE, Tube, 1.25 O.D.
0220	1960044SM	4	WASHER, 5/16 Flat (.33 ID X 1.25 OD X .07 THK) BLK

Not For
Reproduction

Controls Group

Note: Unless noted otherwise, use the standard torque specifications

Mfg. No: 2691460-00



Controls Group

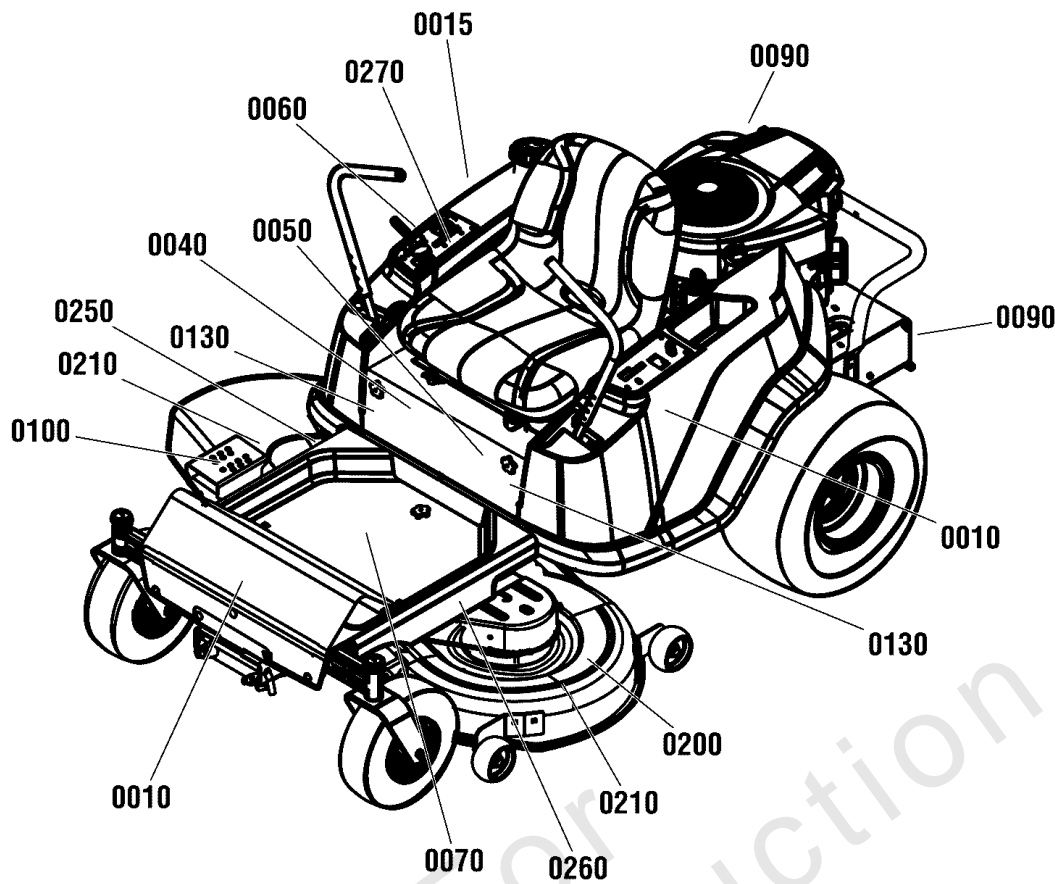
REF NO	PART NO	QTY	DESCRIPTION
0010	1758372YP	2	HANDLE, Control w/Grip
0020	703115	4	NUT, Flange Nylock, 5/16-18
0030	703483	4	BOLT, Carriage, 5/16-18 X 1
0040	1757965YP	2	ARM, Upper Control
0050	707624	2	BOLT, Shoulder, 5/16-18 X 3/8
0060	1757964YP	2	ARM, Lower Control
0070	2176440SM	4	BUSHING
0080	703949	10	SCREW, Washer Head, 5/16-18 X 5/8
0090	1758087AYP	2	PIVOT, Inner Control
0100	1960717SM	2	NUT, Speed, 5/16-1*
0110	1758373YP	2	KNOB, Stud, 5/16-18 X 2 1/2
0120	1650347SM	2	SPRING, Compression
0130	5025211SM	4	PIN, HAIR, .0585 X 1-1/8, 1/4 EYE, YZ
0140	1758463YP	2	ROD, Dampner Mount
0150	1758152YP	2	CONTROL, Dampner
0160	1759182YP	2	LATCH, Control Arm
0170	1960252SM	4	BOLT, Carriage, 1/4-20 x 5/8
0180	703463	4	NUT, Nylock Flanged, 1/4-20
0190	707625	2	WASHER, Wave, 3/4
0200	703902	2	NUT, Hex Nylock, 5/16-18

Not For
Reproduction

Decals Group

Note: Unless noted otherwise, use the standard torque specifications

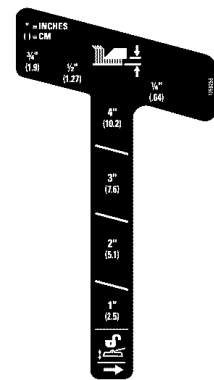
Mfg. No: 2691460-00



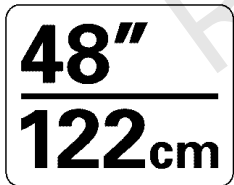
0040



0060



0100



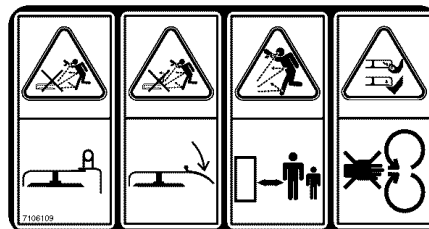
0200



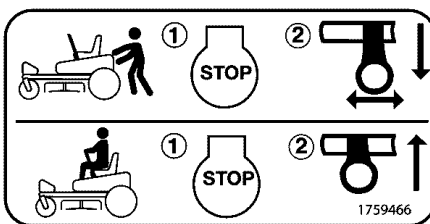
0250



0050



0210



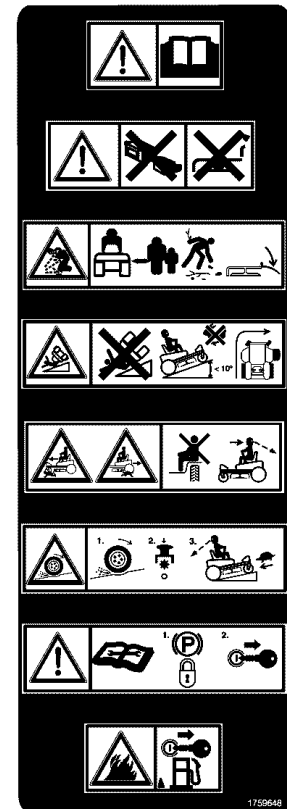
0090



0130



0041



0070



0015



0020



0010

Decals Group

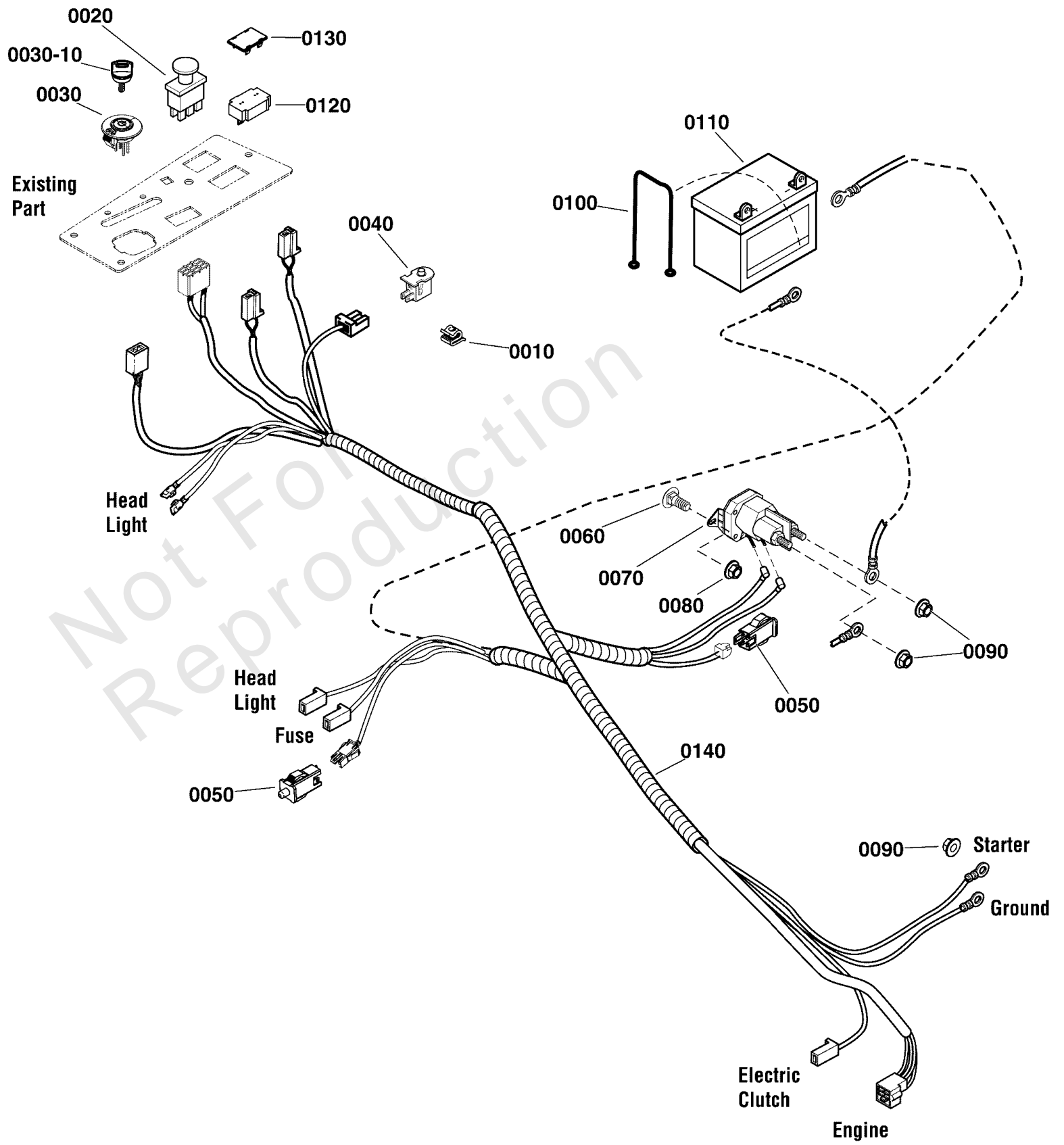
REF NO	PART NO	QTY	DESCRIPTION
0010	1760168YP	1	DECAL, Simplicity Logo, LH Fender, 15.7" x 3.7"
0015	1760169YP	1	DECAL, Simplicity Logo, RH Fender, 15.7" x 3.7"
0020	1757673YP	1	DECAL, Model, SMI Logo 10.47" Long
0040	771749	1	DECAL, Courier
0041	1761575YP	1	DECAL, SMI, SZT275
0050	1759052YP	1	DECAL, Suspension
0060	7105868YP	1	DECAL, Engine Speed
0070	1759648YP	1	DECAL, Safety Inst.
0090	1759466YP	2	DECAL, Tow Release, Suspension
0100	1759253YP	1	DECAL, Height of Cut
0130	1759724YP	2	DECAL, Tracking
0200	1755719YP	1	DECAL, 48"/122cm
0210	706111	2	DECAL, Discharge Safety
0250	709953	2	DECAL, EAC Compliance

Not For
Reproduction

Electrical Group w/Hourmeter

Note: Unless noted otherwise, use the standard torque specifications

Mfg. No: 2691460-00



Electrical Group w/Hourmeter

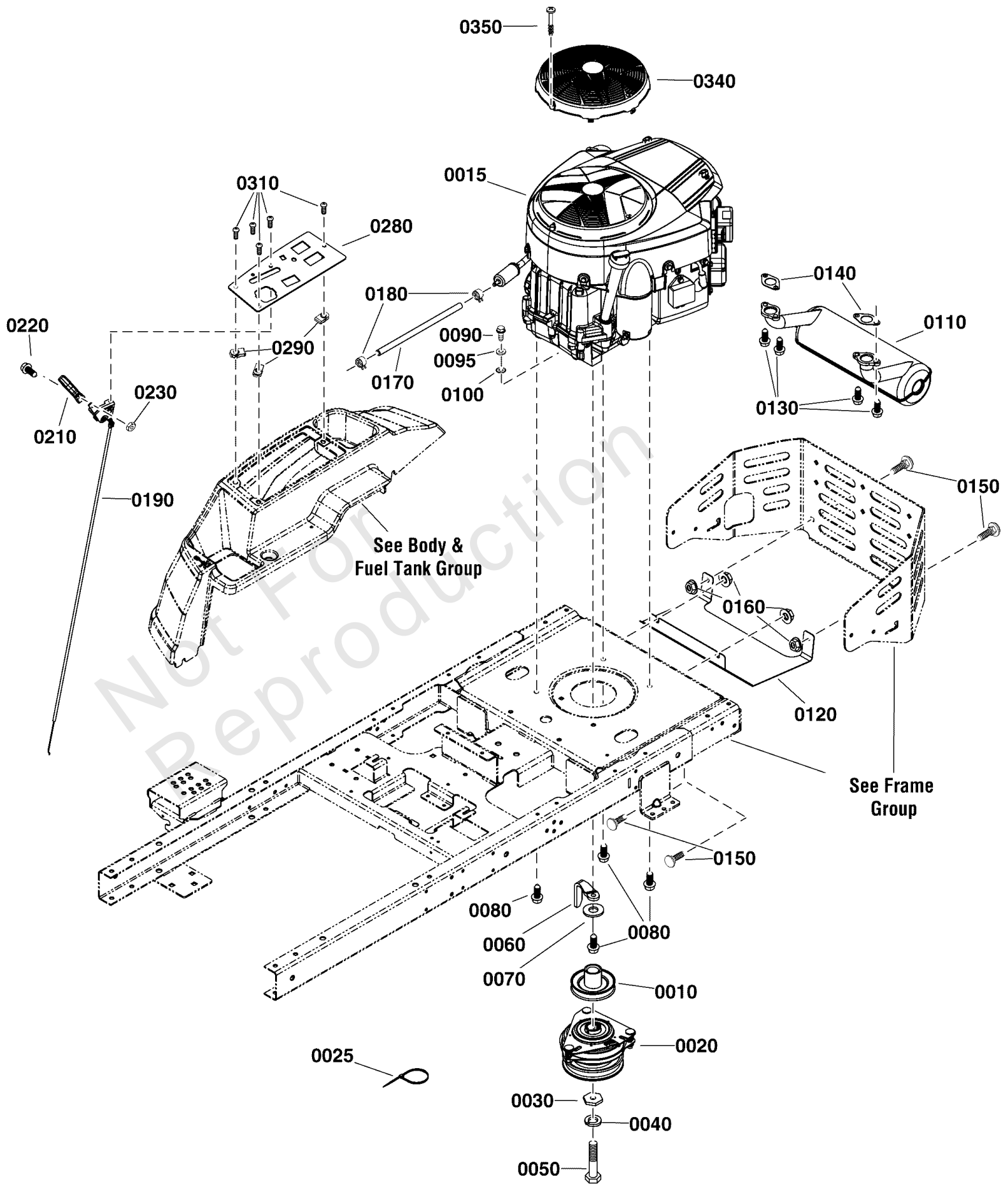
REF NO	PART NO	QTY	DESCRIPTION
0010	2172434SM	1	CLIP, Wire, .390 Dia.
0020	1722887SM	1	SWITCH, PTO, Push/Pull
0030	7106169YP	1	SWITCH, Ignition, Delta (3 Postition)
0030-10	7106172YP	1	KEY, Ignition Switch - Pack of 2, CE/CAN
0030-10	7106170YP	1	KEY, Ignition Switch, Pack of 2, NA/AU
0040	7023354YP	1	SWITCH, Seat, Push Button (NC)
0050	7022886YP	2	SWITCH, DP, NO/NC, Snap-In
0060	1960252SM	2	BOLT, Carriage, 1/4-20 x 5/8
0070	1755382YP	1	SOLENOID, 1/4-20 STD, 2 Spade
0080	703463	2	NUT, Nylock Flanged, 1/4-20
0090	703061	3	NUT, 1/4-20, Keps, Conical Washer
0100	1722009SM	1	STRAP, Rubber, 13"
0110	7060618YP	1	BATTERY, 12 Volt, 230 CCA
0120	1731185SM	1	HOUR METER, Digital, No Alarms
0130	1722611SM	1	PLUG, Hole, .85 X 1.73
0140	1758084SM	1	HARNESS, Main Wiring - ZT

Not For
Reproduction

Engine Group

Note: Unless noted otherwise, use the standard torque specifications

Mfg. No: 2691460-00



Engine Group

REF NO	PART NO	QTY	DESCRIPTION
0010	1757995YP	1	PULLEY ASSEMBLY
0015	40N777-0021-B1	1	* ENGINE, B&S 7220 Series, Twin Intek
0015	40N877-0028-B1	1	* ENGINE, B&S 7220 Series, Twin Intek
0015	44S677-0030-B1	1	* ENGINE, B&S 8240 Series Twin PRO, EXP, 44S677-0030-B1
0015	44S877-0045-B1	1	* ENGINE, B&S 8270 Series Twin PRO, EXP, 44S877-0045-B1
0015	44U877-0003-B1	1	* ENGINE, 8270 Pro Series Twin
0020	1736105SM	1	CLUTCH, Ogura
0025	703586	1	TIE, Cable
0030	1708264SM	1	WASHER, Hex
0040	704007	1	WASHER, Lock, 7/16
0050	1960649SM	1	CAPSCREW, Hex Head, 7/16-20 X 3 1/2, G5
0060	1737421AYP	1	GUIDE, Belt
0070	703878	1	WASHER, Flat, 13/32 x 7/8 x .083
0080	2828635SM	4	SCREW, Taptite, 3/8-16 X 1 1/4
0090	703054	1	SCREW, Hex Washer Head, 1/4-20 x 5/8
0095	703332	1	WASHER, Flat, 1/4
0100	1921880SM	1	WASHER, Lock, 1/4
0110	1758350YP	1	MUFFLER
0120	1759502AYP	1	SHIELD, Heat
0130	690341	4	SCREW
0140	690970	2	GASKET, Exhaust
0150	703185	4	BOLT, Carriage, 5/16-18 X 3/4
0160	703115	4	NUT, Flange Nylock, 5/16-18
0170	791766	1	LINE, Fuel -(Low Perm, Cut to Length)
0180	791850	2	CLAMP, Hose
0190	1759204YP	1	CONTROL, Throttle, 40" -Throttle Only
0190	1759205YP	1	CONTROL, Throttle -Throttle-Choke-a-matic
0210	1739312YP	1	KNOB, Throttle
0220	797483	1	SCREW
0230	703460	1	NUT
0280	1760041AYP	1	PANEL, Control
0290	705876	3	NUT, Speed, 1/4-20
0310	7090999	5	SCREW, 1/4-20 x 5/8" Pan Head Self-Tap (Torx)
0340	797420YP	1	GUARD, Debris Screen
0350	799359	1	SCREW

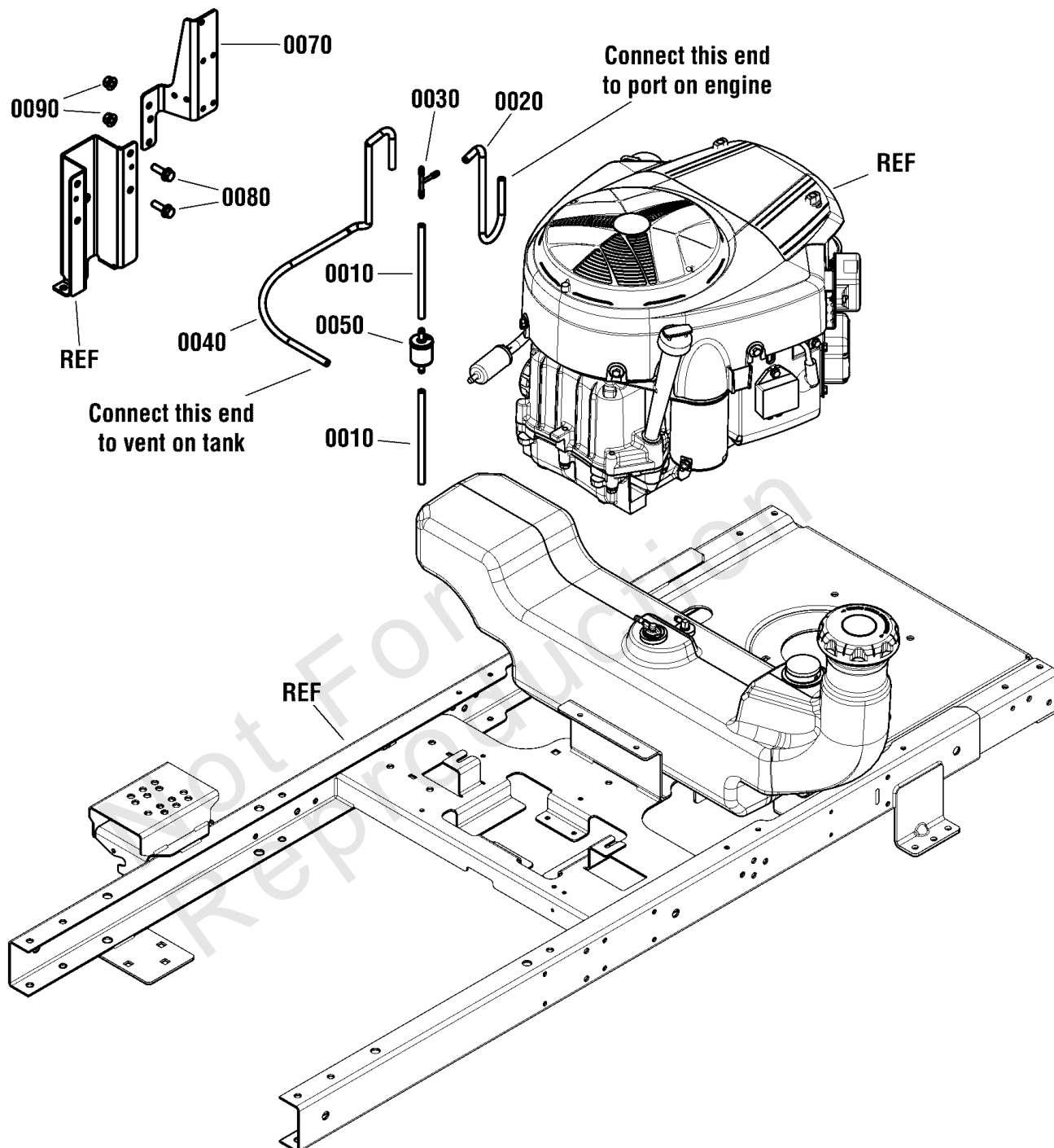
Footnotes:

NOTE: * Purchase engine parts from engine manufacturer dealer.

EVAP Group - B&S Twin, CE

Note: Unless noted otherwise, use the standard torque specifications

Mfg. No: 2691460-00



EVAP Group - B&S Twin, CE

REF NO	PART NO	QTY	DESCRIPTION
0010	7700552X6	2	HOSE, Vapor, 5 MM ID, 6.00 LG
0020	7700552X12YP	1	HOSE, Vapor, 5 MM ID X 9 MM OD X 12"
0030	5103062YP	1	FITTING, 3/16" TEE, BARB TYPE, HDPE
0040	7700552X26YP	1	HOSE, Vapor, 5 MM ID, 26.00 LG
0050	84001895	1	FILTER, Fuel
0060	5021030SM	5	TIE, 6" Self-Locking
0070	1760538AYP	1	BRACKET, Vent Hose Mount - BS Twin (BLK)
0080	703410	2	BOLT, Serrated Flange, 5/16-18 X 1.0
0090	703115	2	NUT, Flange Nylock, 5/16-18

Not For
Reproduction

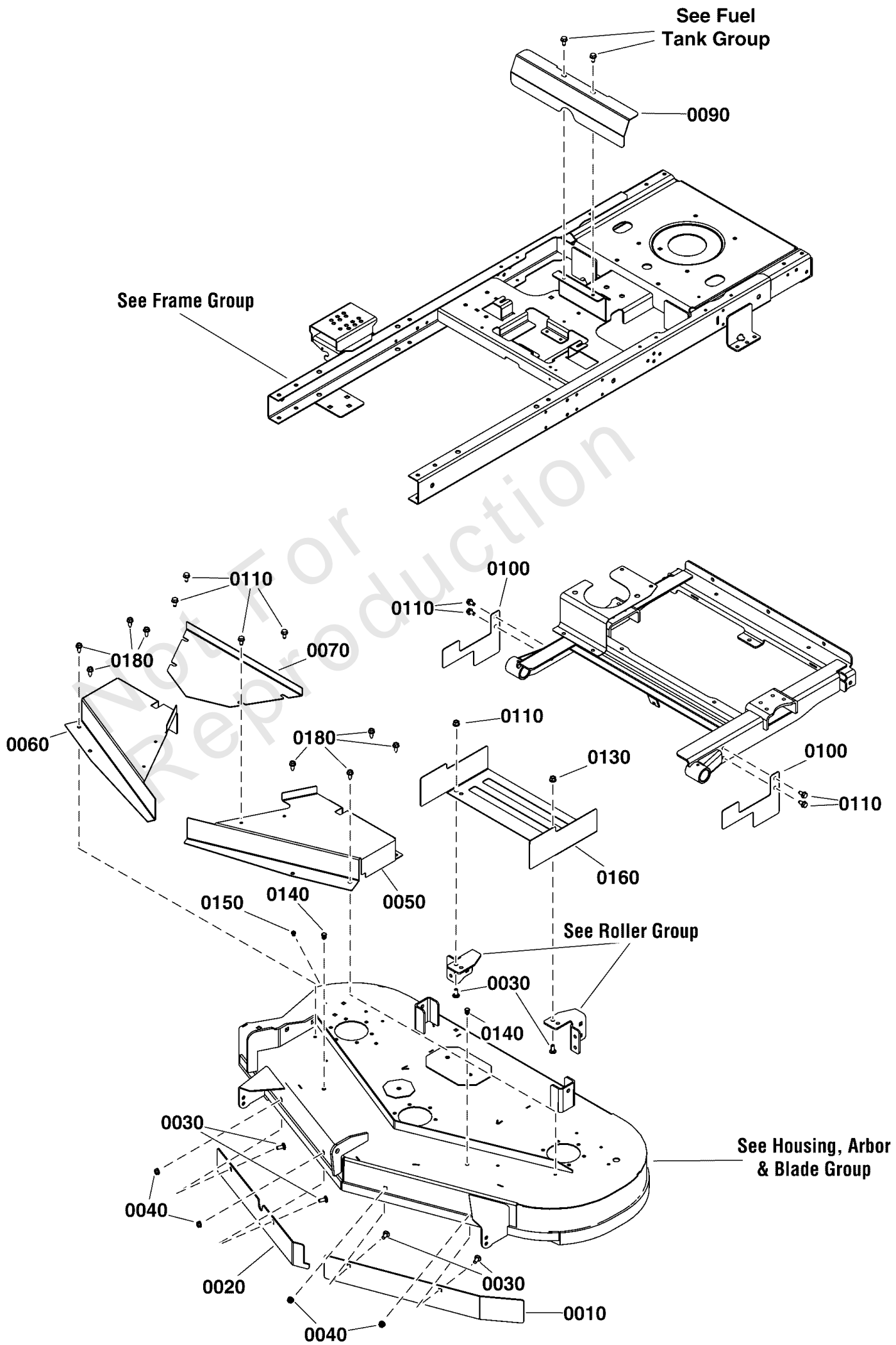
Frame Group (2992511)

REF NO	PART NO	QTY	DESCRIPTION
0010	703949	6	SCREW, Washer Head, 5/16-18 X 5/8
0020	703448	2	BOLT, Carriage, 3/8-16 X 3/4, GR5
0030	5025394SM	13	NUT, Hex Flange, Nylock, 3/8-16
0040	1759278CYP	1	FOOTREST, Pivoting Axle
0045	5101374YP	1	SAFETY WALK
0050	1759970CYP	1	BUMPER, Rear
0060	703410	2	BOLT, Serrated Flange, 5/16-18 X 1.0
0070	703115	6	NUT, Flange Nylock, 5/16-18
0080	703228	2	SCREW, Washer Head Taptite, 5/16-18 X 3/4
0120	-----	1	FRAME, Full Suspension -(Not a serviceable part)
0130	1757813CYP	2	PAN, Foot
0140	197546GS	6	MOUNT, Vibration
0150	7090496YP	1	BOLT, Carriage, 1/4C X 1, GR5
0160	703233	1	NUT, Serrated, Flange, 1/4-20, GR5
0165	15X143MA	1	NUT, Center Lock, 1/4-20
0170	707785	1	KNOB, 5 Prong
0180	1758010CYP	1	BRACKET, Control
0190	1758240AYP	2	BRACKET, Fender
0200	1757796CYP	1	BRACKET, Brand Plate
0210	1760193CYP	1	BRACKET, Seat
0220	707790	7	SCREW, Button Head, 3/8-16 X .88
0240	770013	2	SCREW, 8-32 X .50 LG, Hex Head Cap
0310	84001639	1	AXLE, Front, Pivoting
0320	1761504CYP	2	CASTER, Front
0330	703993	2	RETAINER, Ring
0340	703199	2	WASHER, Flat
0350	1758354YP	4	BEARING, 25 MM
0360	5105524	2	CAP, Caster
0380	1760066AYP	2	GUARD, Tank
0400	1760067CYP	1	GUARD, Transmission, Suspension
0410	1760068CYP	2	GUARD, Frame
0420	5025055X18YP	2	BOLT, 5/16-18 X 2-1/4
0430	703302	2	WASHER, Flat, 5/16
0500	707789	1	BOLT, Hex Head, 5/8-11 X 4 1/2, G5
0510	1960035SM	2	WASHER, 5/8
0520	1759234YP	2	BUSHING, Flanged
0530	2860646SM	1	NUT, Hex Flange, 5/8-11
0540	703589	2	CAPSCREW, Hex Head, 3/8-16 X 2, GR5
0550	703590	2	WASHER, .406
0560	1667811SM	2	SPACER
0570	1755279YP	2	SHOCK ABSORBER
0580	5025165SM	4	WASHER, Fender, 3/8
0590	703406	2	CAPSCREW, Hex Head, 3/8-16 X 1 1/2, GR5
0600	1759391YP	2	PAD, Friction
0610	5025594YP	4	SCREW, Phillips Head, 5/16-18 X 1
0620	703902	4	NUT, Hex Nylock, 5/16-18

French Guard Group - 48" FAB Deck, HOZ Susp

Note: Unless noted otherwise, use the standard torque specifications

Mfg. No: 2691460-00



French Guard Group - 48" FAB Deck, HOZ Susp

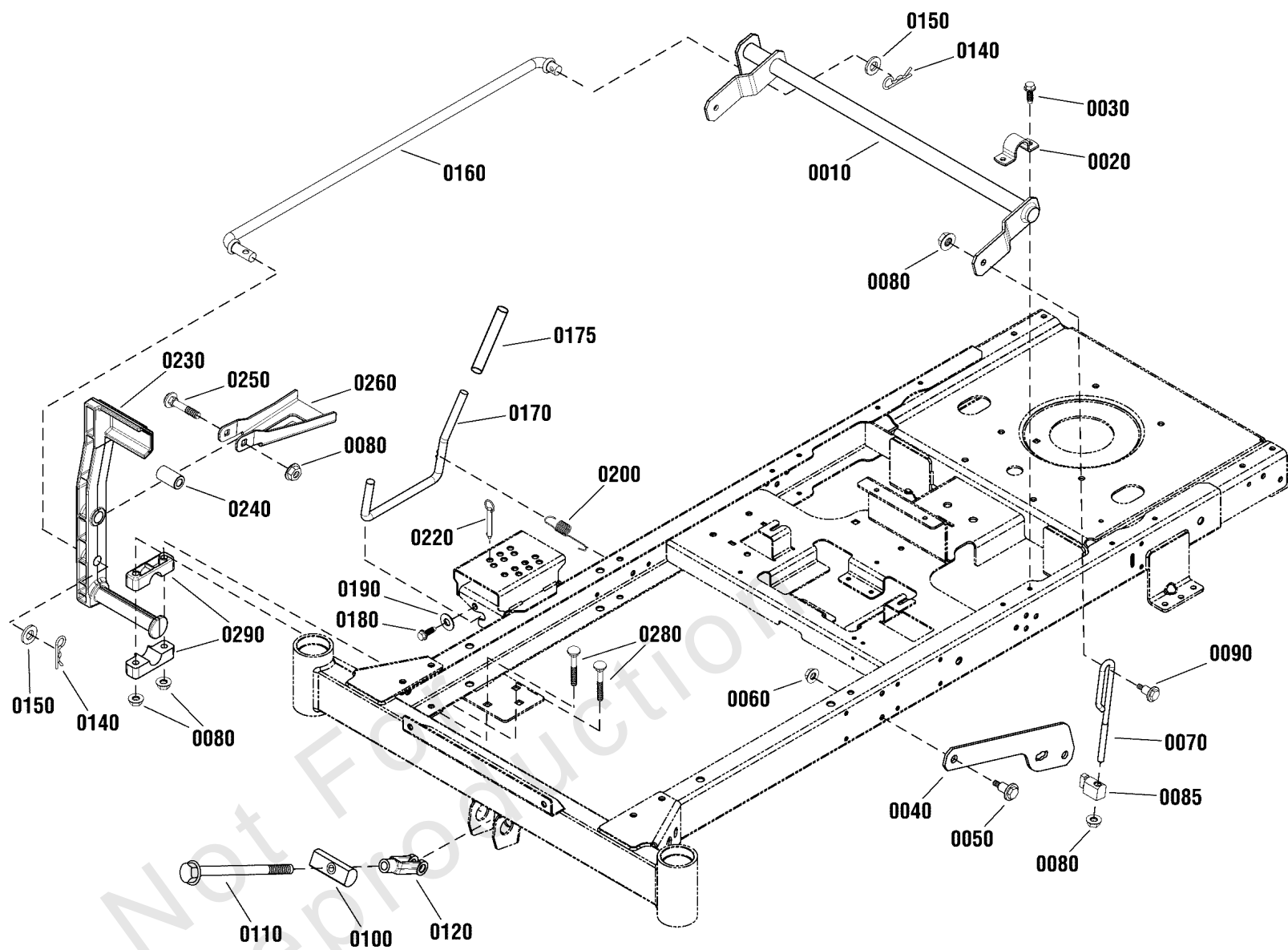
REF NO	PART NO	QTY	DESCRIPTION
0010	1761085AYP	1	BAFFLE, Guard 48 RD LHS, Black
0020	1761086AYP	1	BAFFLE, Guard 48 RD RHS, Black
0030	703185	4	BOLT, Carriage, 5/16-18 X 3/4
0040	5025127SM	4	NUT, Hex Serrated Flange, 5/16-18,
0050	1761565AYP	1	COVER, LH Arbor, 48"
0060	1761564AYP	1	COVER, RH Arbor, 48"
0070	1761566AYP	1	COVER, Top Arbor, 48"
0100	1760087AYP	2	COVER, Side Suspension, 48"
0110	703949	10	SCREW, Washer Head, 5/16-18 X 5/8
0140	7046780SM	2	PLUG, Hole, .44" OD
0150	7073293YP	1	PLUG, Hole, .30 OD
0160	1760077AYP	1	COVER, Rear Deck Belt, 48"
0170	1760154AYP	1	COVER, Bystander Pulley
0180	703228	8	SCREW, Washer Head Taptite, 5/16-18 X 3/4

Not For
Reproduction

Lift Group (2991613)

Note: Unless noted otherwise, use the standard torque specifications

Mfg. No: 2691460-00



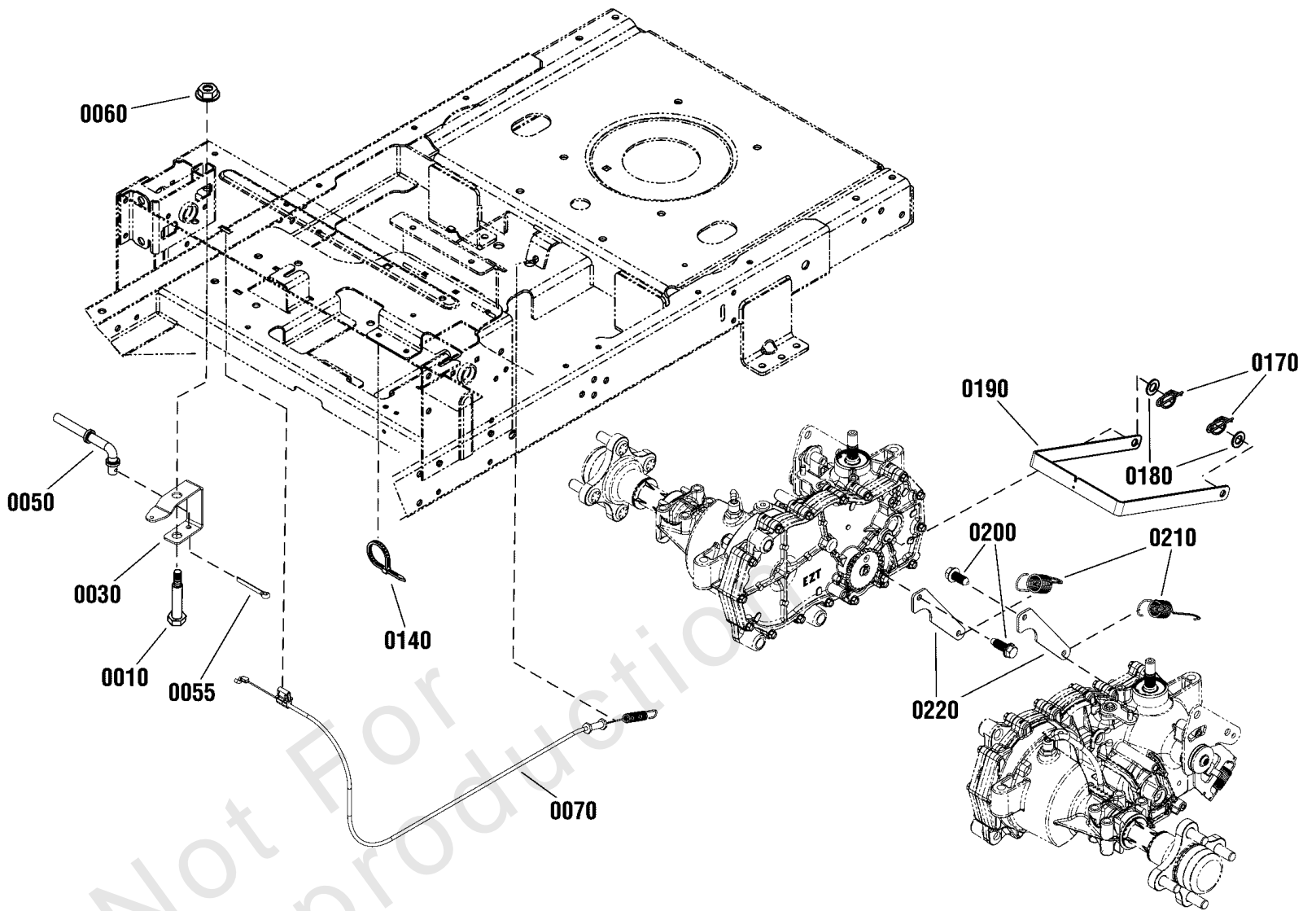
Lift Group (2991613)

REF NO	PART NO	QTY	DESCRIPTION
0010	1757958AYP	1	SHAFT, Lift
0020	1720147BZYP	2	STRAP
0030	703949	4	SCREW, Washer Head, 5/16-18 X 5/8
0040	1757953AYP	2	ARM, Lift
0050	1732426SM	2	BOLT, Shoulder, 5/16-18
0060	703115	2	NUT, Flange Nylock, 5/16-18
0070	1757936YP	2	ROD, Lift
0080	703158	9	NUT, Hex Flange, 3/8-16
0085	1731894SM	2	TRUNNION
0090	009X51MA	2	BOLT, Shoulder, 3/8-16
0100	1757955YP	1	PIVOT
0110	1757954YP	1	ROD, Hitch
0120	5023174SM	1	CLEVIS, 1/2-20
0140	403162MA	2	PIN, Hair, 3/32 X 1.6
0150	5025281SM	2	WASHER, 5/8
0160	1758121YP	1	ROD, Foot Assist
0170	5105717YP	1	ROD, Transport
0175	5021880SM	1	GRIP, FOAM, .475 X 4.35 X .095
0180	703054	2	SCREW, Hex Washer Head, 1/4-20 x 5/8
0190	5025288YP	2	WASHER, 1/4
0200	1758283YP	1	SPRING, Extension
0220	5103021YP	1	PIN, Hitch, 3/8 X 2 1/2
0230	1758232YP	1	PEDAL, Lift
0240	1756612YP	1	BUSHING
0250	7900009SM	1	BOLT, Carriage, 3/8-16 X 2 1/4
0260	1758284AYP	1	STOP, Height of Cut
0280	1960615SM	4	BOLT, Carriage, 3/8-16 X 2 1/2
0290	5100634SM	4	BLOCK

Parking Brake Group (2991641)

Note: Unless noted otherwise, use the standard torque specifications

Mfg. No: 2691460-00



Parking Brake Group (2991641)

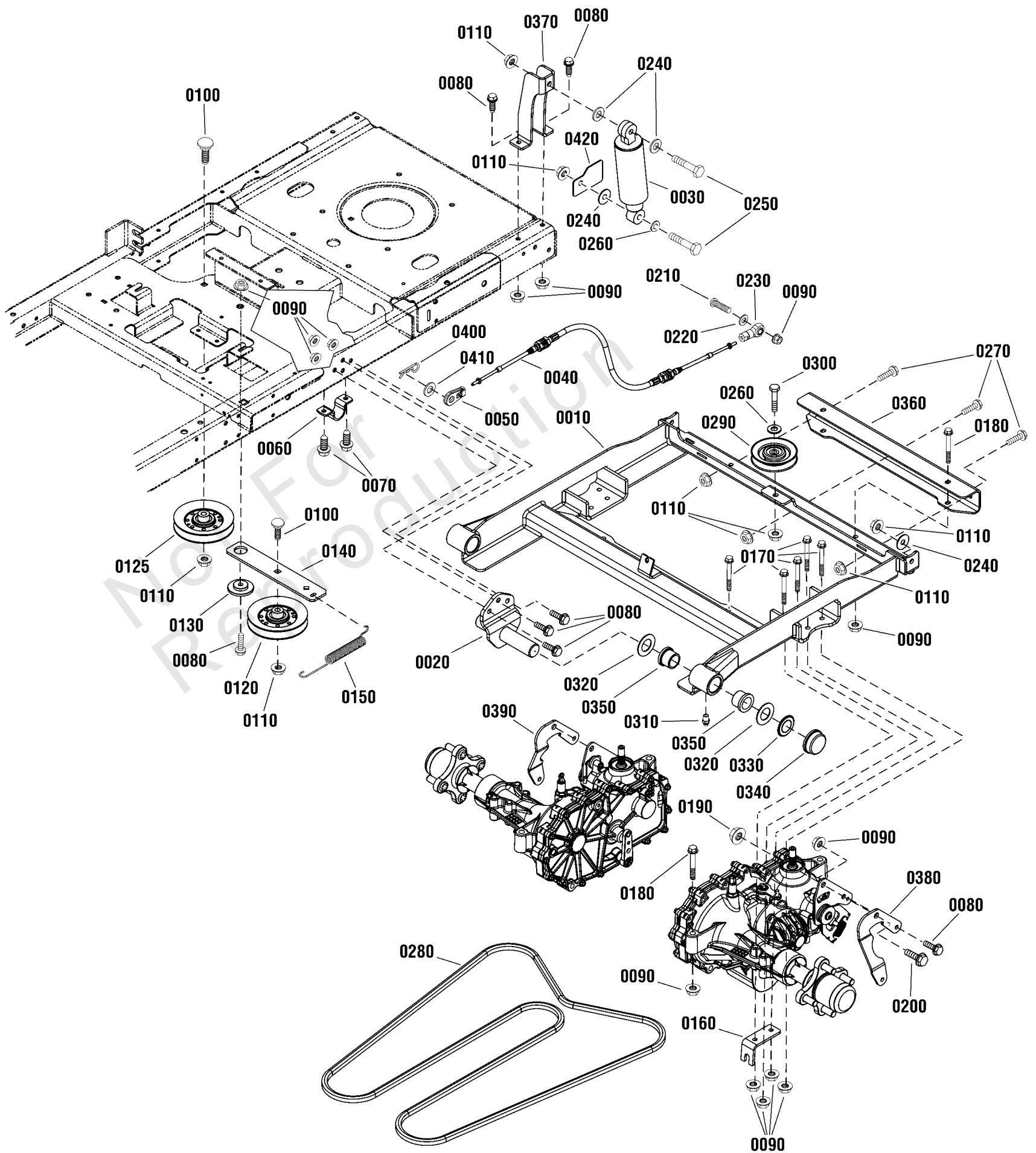
REF NO	PART NO	QTY	DESCRIPTION
0010	1736539YP	1	BOLT, Shoulder, 3/8-16 X 3.41
0030	1758091YP	1	BELLCRANK, Parking Brake
0050	1758088YP	1	ROD, Parking Brake
0055	703312	1	PIN, Cotter, 3/32 X 3/4
0060	703158	1	NUT, Hex Flange, 3/8-16
0070	1759207YP	1	CABLE, Parking Brake
0140	703586	1	TIE, Cable
0170	7091594SM	2	PIN, Cotter, 1/2
0180	703946	2	WASHER, Flat
0190	1758126AYP	1	ARM, Parking Brake
0200	708964	2	SCREW, Taptite, M6 x 1.0-12
0210	1758283YP	2	SPRING, Extension
0220	1759349YP	2	BRACKET, Spring

Not For
Reproduction

Rear Suspension Group

Note: Unless noted otherwise, use the standard torque specifications

Mfg. No: 2691460-00



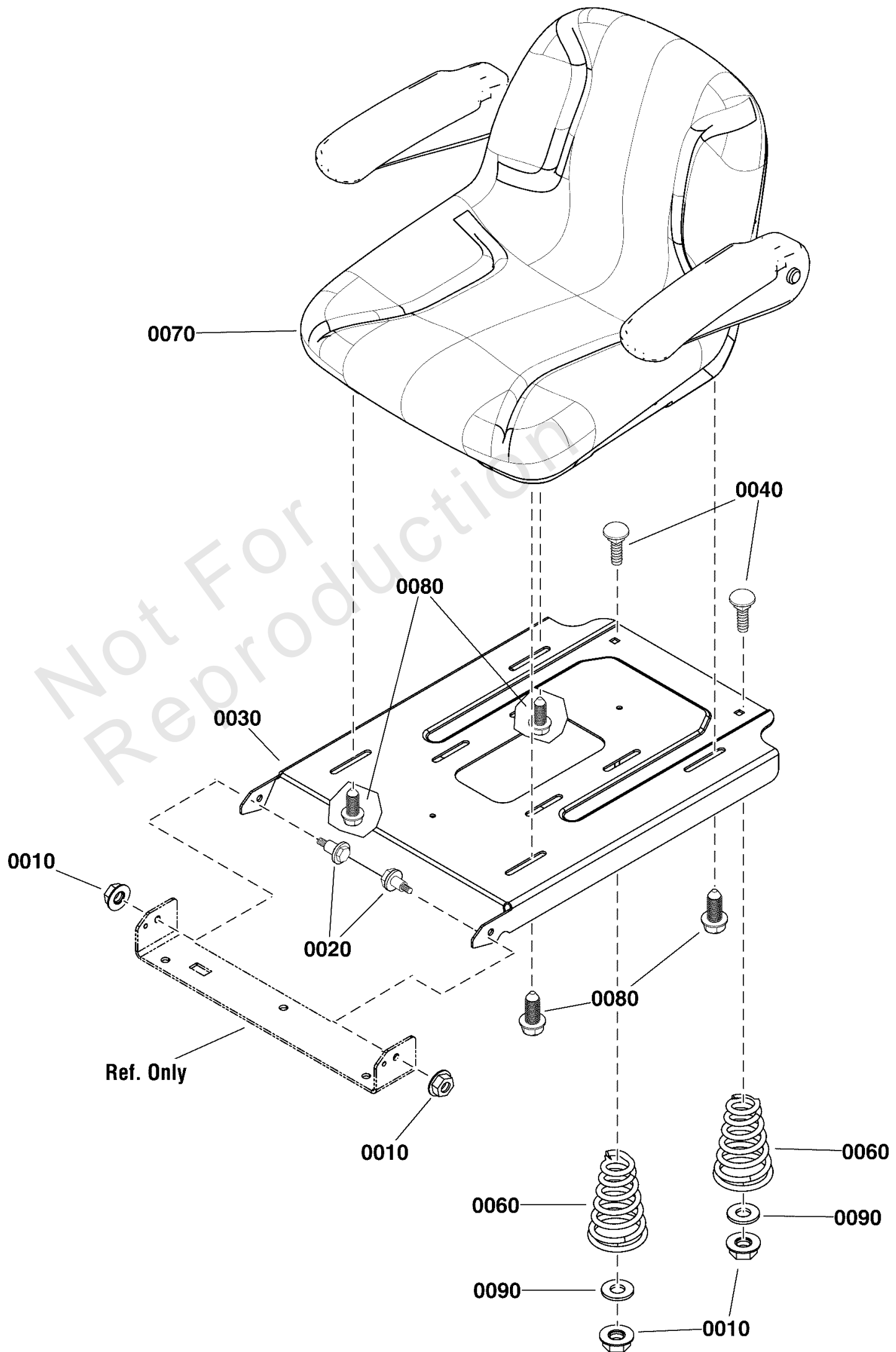
Rear Suspension Group

REF NO	PART NO	QTY	DESCRIPTION
0010	1758718CYP	1	CARRIER, Transmission
0020	1758716CYP	2	SWING ARM, Rear
0030	1755531YP	2	ABSORBER, Shock
0040	1759206YP	2	CABLE, Push/Pull
0050	1759413YP	2	END, Cable
0060	1720147BZYP	2	STRAP
0070	703950	4	SCREW, Hex Washer Head, Thread Roll, 5/16-18 X 5/8
0080	770697	13	SCREW, Hex Flange, 5/16-18 x 1
0090	703115	27	NUT, Flange Nylock, 5/16-18
0100	703858	2	BOLT, Carriage, 3/8-16 X 1 3/4
0110	5025394SM	10	NUT, Hex Flange, Nylock, 3/8-16
0120	1759212YP	1	PULLEY, V Idler, 4.50"
0125	5103456YP	1	PULLEY-IDLER-V, 4.85OB, .38ID
0130	1727935SM	1	SPACER, Pivot
0140	1758744AYP	1	ARM, Idler
0150	1758045YP	1	SPRING, 7.18"Long, .75" OD, Extension
0160	1758822AYP	2	MOUNT, Cable
0170	707943	10	SCREW, Washer Head, 5/16-18 X 3
0180	770083	2	SCREW, Hex Washer, 5/16-18 X 2 1/2
0190	1930650SM	2	NUT, Hex Two Way, 7/16-14
0200	1960043SM	2	SCREW, Hex Flange, 7/16-14 X 1
0210	703172	2	SCREW, Button Head
0220	703302	2	WASHER, Flat, 5/16
0230	5101801YP	2	JOINT, Ball, Female, 10-32
0240	5025165SM	6	WASHER, Fender, 3/8
0250	5025013X14SM	4	CAPSCREW, Hex Head, 3/8-16 X 1-3/4
0260	703590	3	WASHER, .406
0270	5025390X8	3	BOLT, Flange, 3/8-16 X 1
0280	885714YP	1	BELT, Deck
0290	885482YP	1	IDLER, Pulley
0300	703872	1	CAPSCREW, Hex Head, 3/8-16 X 2 1/4
0310	1704314SM	2	FITTING, Lube, 1/4
0320	703199	4	WASHER, Flat
0330	703200	2	NUT, Push
0340	094618MA	2	HUB CAP
0350	1758717YP	4	BUSHING, Flange, 1 x 1
0360	1759163CYP	1	SUPPORT, Transmission
0370	1758778CYP	2	MOUNT, Rear Shock
0380	1759021AYP	1	ARM, Transmission, LH
0390	1759022AYP	1	ARM, Transmission, RH
0400	703300	2	PIN, Hair, 3/32 x 1 5/8
0410	703878	2	WASHER, Flat, 13/32 x 7/8 x .083
0420	1760061CYP	2	GUARD, Suspension

Seat Group (2992503)

Note: Unless noted otherwise, use the standard torque specifications

Mfg. No: 2691460-00



Seat Group (2992503)

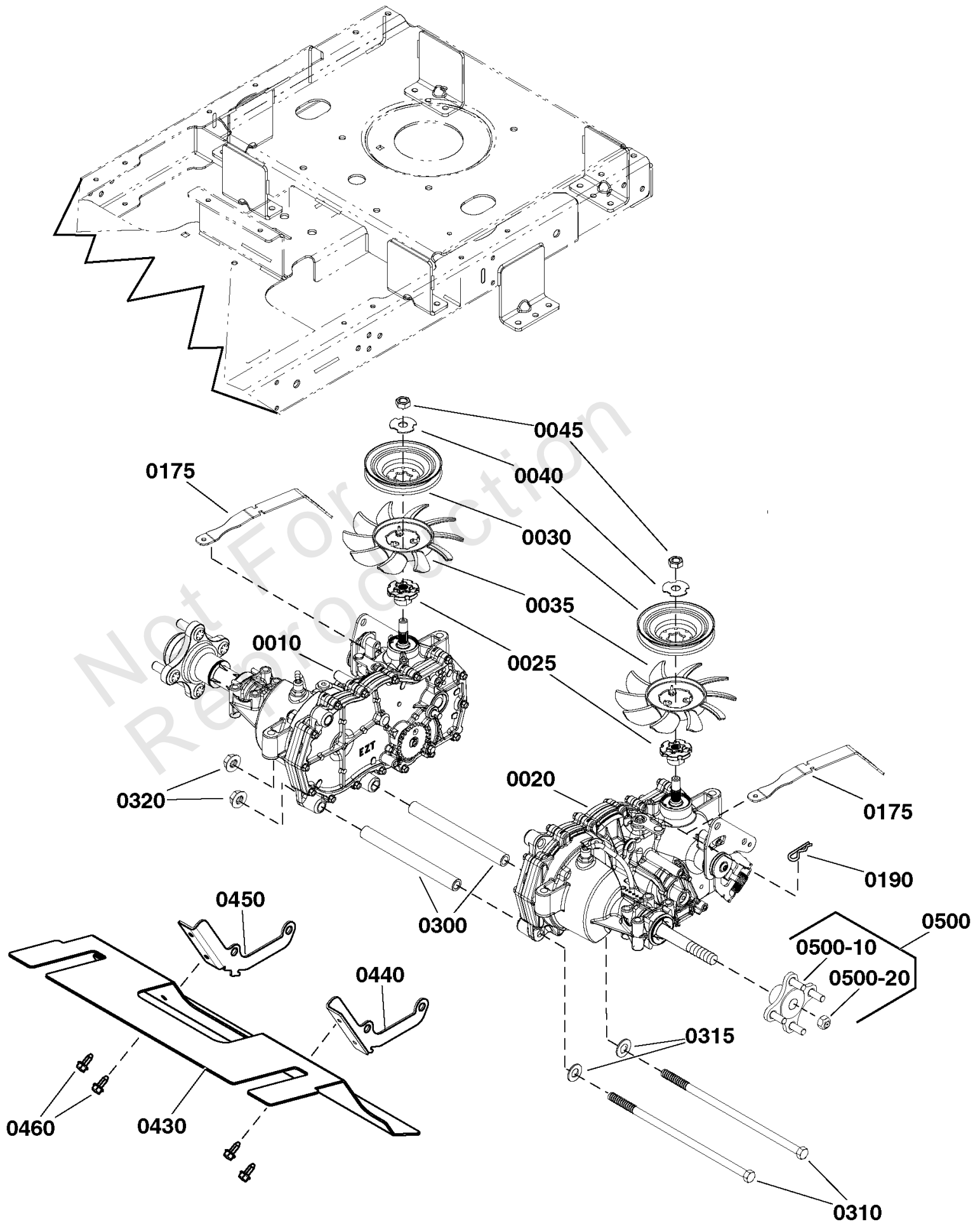
REF NO	PART NO	QTY	DESCRIPTION
0010	703115	4	NUT, Flange Nylock, 5/16-18
0020	1752802YP	2	BOLT, Shoulder, 5/16-18 x 1.03LG
0030	84001619	1	SLIDE, Seat
0040	703483	2	BOLT, Carriage, 5/16-18 X 1, GR5
0060	1717051SM	2	SPRING, Seat
0070	1687857YP	1	KIT, Seat, 15" Fancy Vinyl, W/Armrests
0080	770697	4	SCREW, Hex Flange, 5/16-18 x 1
0090	704128	2	WASHER, Flat

Not For
Reproduction

Transmission Group

Note: Unless noted otherwise, use the standard torque specifications

Mfg. No: 2691460-00



Transmission Group

REF NO	PART NO	QTY	DESCRIPTION
0010	1759443YP	1	TRANSMISSION, Hydro Gear, RH -(Refer to Note: *) (Model No: ZD-DUBB-2A7C-2XPX)
0020	1759444YP	1	TRANSMISSION, Hydro Gear, LH -(Refer to Note: *) (Model No: ZD-AUBB-2A7B-3XPX)
0025	1759450YP	2	SPACER, Transmission
0030	1759447YP	2	PULLEY, Transmission
0035	1759449YP	2	FAN, Input
0040	5102914YP	2	WASHER, Slotted
0045	5102916YP	2	NUT, ZT5400
0175	1759654AYP	2	Valve, Tow
0190	1722460SM	2	PIN, Hair
0300	1759392YP	2	SPACER, Transmission
0310	707945	2	CAPSCREW, HexHead, 7/16-14 X 11 1/4
0315	703183	6	WASHER, Flat
0320	1930650SM	4	NUT, Flange, 7/16-14
0430	TBD	1	The service part is in development.
0440	TBD	1	The service part is in development.
0450	TBD	1	The service part is in development.
0460	TBD	4	The service part is in development.
0500	7600158YP	1	KIT, Hub Replacement -(Includes Ref. 0500-10 & 0500-20)
0500-10	-----	1	HUB, EZT Transmission
0500-20	-----	1	NUT, EZT Transmission

Not For
Reproduction

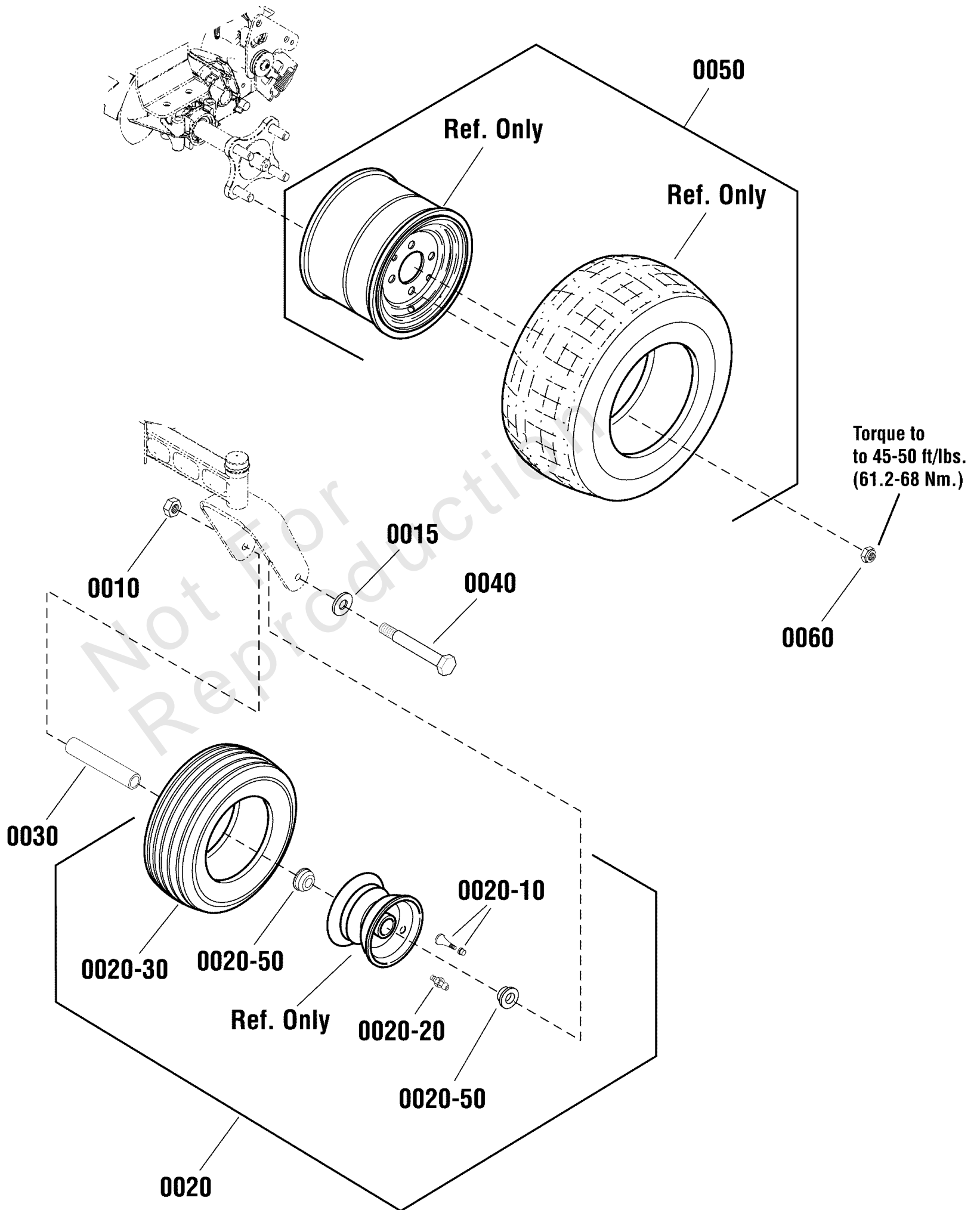
Footnotes:

Note *See your local Hydro Gear dealer for parts and service.

Wheel & Tire Group (2991615_2991901_2991994)

Note: Unless noted otherwise, use the standard torque specifications

Mfg. No: 2691460-00



Wheel & Tire Group (2991615_2991901_2991994)

REF NO	PART NO	QTY	DESCRIPTION
0010	1930650SM	2	NUT, Hex Two Way, 7/16-14
0015	703183	2	WASHER, 7/16
0020	1734013SM	2	ASSEMBLY, Wheel & Tire, Front Caster, 11 X 4-5
0020-10	2172353SM	4	VALVE STEM & CAP
0020-20	7104428YP	2	ZERK, Grease
0020-30	1734875SM	2	TIRE, 11 X 4-5
0020-50	1739281YP	4	BUSHING, 0.632ID, 1.377OD, 0.62 LG
0030	1734841SM	2	TUBE, Caster Wheel
0040	7091772SM	2	SCREW, 7/16-14 x 6 Hex Head Cap, GR 5
0050	1759161YP	2	ASSEMBLY, Wheel & Tire, 20 X 8-8 (K505)
0050	1759585YP	2	ASSEMBLY, Wheel Rear, 20 X 10-8
0050	1758079YP	2	ASSEMBLY, Wheel Rear, 20 X 10-10
0060	5020601SM	8	NUT, Lug, 1/2-20

Not For
Reproduction

Hardware Identification & Torque Specifications

Torque Specification Chart								
FOR STANDARD METRIC MACHINE HARDWARE (Tolerance ± 20%)								
Property Class	5.6		8.8		10.9		12.9	
	Class 5.6		Class 8.8		Class 10.9		Class 12.9	
Size Of Hardware	in/lbs	Nm.	in/lbs	Nm.	in/lbs	Nm.	in/lbs	Nm.
	ft/lbs		ft/lbs		ft/lbs		ft/lbs	
M3	5.88	.56	13.44	1.28	19.2	1.80	22.92	2.15
M4	13.44	1.28	30.72	2.90	43.44	4.10	52.56	4.95
M5	26.4	2.50	60.96	5.75	5.97	8.10	7.15	9.7
M6	44.64	4.3	7.3	9.9	10.3	14	12.1	16.5
M7	5.2	7.1	12.1	16.5	16.9	23	19.9	27
M8	7.7	10.5	17.7	24	25	34	29	40
M10	15	21	35	48	50	67	59	81
M12	26	36	61	83	86.2	117	103	140
M14	42	58	101	132	136	185	162	220
M16	64	88	147	200	210	285	250	340
M18	89	121	202	275	287	390	346	470
M20	126	171	290	390	405	550	486	660
M22	169	230	390	530	559	745	656	890
M24	217	295	497	375	708	960	840	1140
M27	320	435	733	995	1032	1400	1239	1680
M30	435	590	995	1350	1401	1900	1681	2280
M33	590	800	1349	1830	1902	2580	2278	3090
M36	759	1030	1740	2360	2441	3310	2935	3980
M39	988	1340	2249	3050	3163	4290	3798	5150

Torque Specification Chart						
FOR STANDARD MACHINE HARDWARE (Tolerance ± 20%)						
Hardware Grade	No Marks		SAE Grade 5		SAE Grade 8	
	SAE Grade 2		SAE Grade 5		SAE Grade 8	
Size Of Hardware	in/lbs	Nm.	in/lbs	Nm.	in/lbs	Nm.
	ft/lbs		ft/lbs		ft/lbs	
8-32	19	2.1	30	3.4	41	4.6
8-36	20	2.3	31	3.5	43	4.9
10-24	27	3.1	43	4.9	60	6.8
10-32	31	3.5	49	5.5	68	7.7
1/4-20	66	7.6	8	10.9	12	16.3
1/4-28	76	8.6	10	13.6	14	19.0
5/16-18	11	15.0	17	23.1	25	34.0
5/16-24	12	16.3	19	25.8	29	34.0
3/8-16	20	27.2	30	40.8	45	61.2
3/8-24	23	31.3	35	47.6	50	68.0
7/16-14	30	40.8	50	68.0	70	95.2
7/16-20	35	47.6	55	74.8	80	108.8
1/2-13	50	68.0	75	102.0	110	149.6
1/2-20	55	74.8	90	122.4	120	163.2
9/16-12	65	88.4	110	149.6	150	204.0
9/16-18	75	102.0	120	163.2	170	231.2
5/8-11	90	122.4	150	204.0	220	299.2
5/8-18	100	136	180	244.8	240	326.4
3/4-10	160	217.6	260	353.6	386	525.0
3/4-16	180	244.8	300	408.0	420	571.2
7/8-9	140	190.4	400	544.0	600	816.0
7/8-14	155	210.8	440	598.4	660	897.6
1-8	220	299.2	580	788.8	900	1,244.0
1-12	240	326.4	640	870.4	1,000	1,360.0

The guides and ruler furnished below are designed to help you select the appropriate hardware.



Nut, M8

Thread Diameter (mm)

Inside Diameter (in) Threads per inch

Nut, 1/2-16



Screw, M8- 1.25 x 25

Thread Diameter (mm) Distance between threads (mm) Body Length (mm)

Body Diameter Threads per inch Body Length (in)

Screw, 1/2- 16 x 2



Standard Hardware Sizing

When a washer or nut is identified as 1/2" (M8), this is the *Nominal size*, meaning the *inside diameter* is 1/2 inch (8mm metric thread diameter); if a second number is present it represents the *threads per inch* (distance between threads).

When bolt or capscrew is identified as 1/2 - 16 x 2" (M8 - 1.25 x 50), this means the *Nominal size*, or body diameter is 1/2 inch (8mm metric thread diameter), the second number, 16, represents the *threads per inch*, (*distance between threads*). The final number is the body length of the bolt or screw, 2 inches (50mm).

NOTES

- These torque values are to be used for all hardware excluding: locknuts, self-tapping screws, thread forming screws, sheet metal screws and socket head setscrews.
- Recommended seating torque values for locknuts:
 - for prevailing torque locknuts - use 65% of grade 5 torques.
 - for flange whizlock nuts and screws - use 135% of grade 5 torques.
- Unless otherwise noted on assembly drawings, all torque values must meet this specification.

Common Hardware Types

Hex Head Capscrew



Washer



Carriage Bolt



Hex Nut

Wrench & Fastener Size Guide

1/4" Bolt or Nut Wrench—7/16"	5/16" Bolt or Nut Wrench—1/2"	3/8" Bolt or Nut Wrench—9/16"	7/16" Bolt or Nut Wrench (Bolt)—5/8" Wrench (Nut)—11/16"	1/2" Bolt or Nut Wrench—3/4"
M6 Bolt or Nut Wrench—10mm	M8 Bolt or Nut Wrench—13mm	M10 Bolt or Nut Wrench—17mm	M12 Bolt or Nut Wrench—19mm	M14 Bolt or Nut Wrench—22mm

